

## Li-Ion Cylindrical Battery

Customer No: X18650H-26PCM

Model: X18650H 3.7V 2600mAh

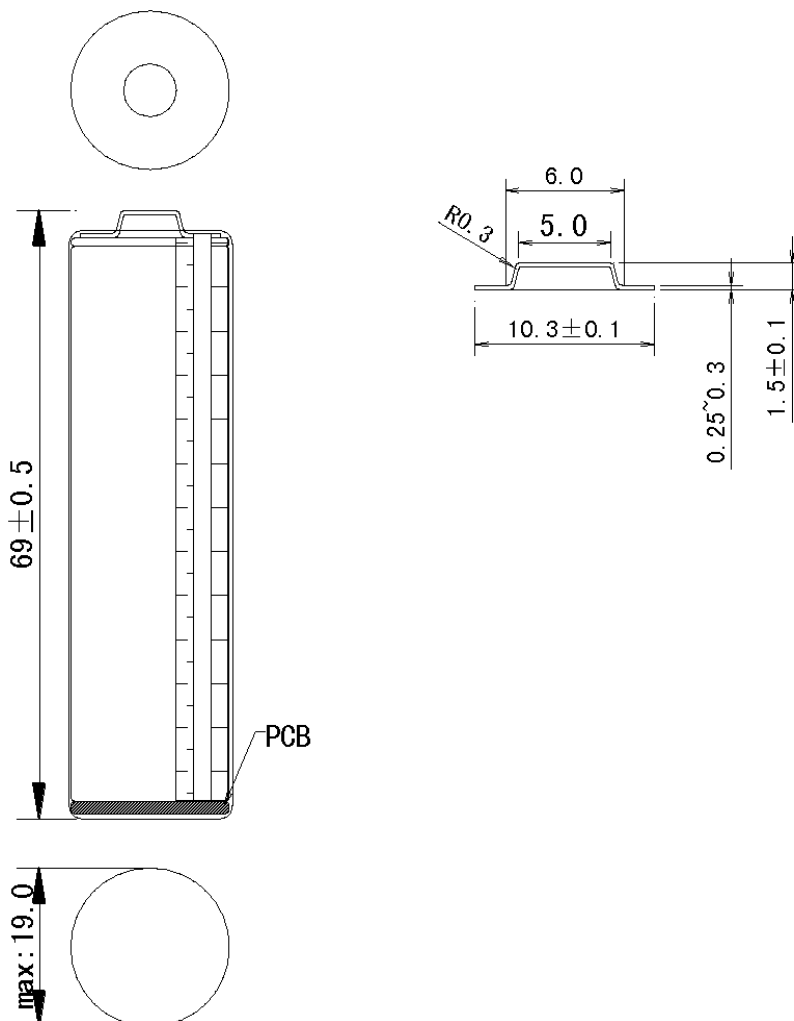
### 1. Preface

This document describes the Product Specification of the Li-ion Cylindrical rechargeable battery cell supplied by XCell.

### 2. Battery configuration

2.1 Model: X18650H 3.7V 2600mAh

2.2 Assembly Drawing. (unit: mm)



### 3. Specification

NO.	Items	Standard	Remarks
1	Typical capacity	2600 mAh	Discharge current:0.2C Cut-off voltage:3.0V/cell
2	Minimum capacity	2500 mAh	
3	Charge voltage	4.2 V	
4	Nominal voltage	3.7 V	
5	Discharge cut-off voltage	3.0 V	
6	Charge current	Standard: 0.2 C	
		Rapid: 1.0 C	
7	Discharge current	Standard: 0.2 C	Continue discharge
		Max: 2.0 C	Continue discharge
8	Standard charge	0.2C CC (constant current) charge to 4.2V/cell, then CV(constant voltage) 4.2V/cell charge 3.5hours or 52mA (0.02C) cut off.	
9	Rapid charge	1 C CC (constant current) charge to 4.2V/cell, then CV(constant voltage) 4.2V/cell charge 3.0hours or 52mA (0.02C) cut off.	
10	Max. charge current	2600 mAh	
11	Internal Impedance	Typical value: 180mΩ	AC 1KHz after standard charge
12	Energy	9.62Wh	
13	Weight	Approx: 48±3g	
14	Operating Temperature	Charge: -10~45°C	Forbid to outrun provision scope a work.
		Discharge: -10~50°C	
15	Storage Temperature	-5~35°C	See the section 5th

## 4. Protection Circuit

NO.	Item	Criteria
1	Over-charge Protection Voltage	4.30±0.05V
2	Over charge release voltage	4.10±0.05V
3	Over-charge detection delay time	≤200.00 ms
4	Over-discharge protection Voltage	2.40±0.1V
5	Over discharge release voltage	3.00±0.10V
6	Over-discharge detection delay time	≤100.00 ms
7	Over current protection current	4-10A
8	Over current protection current delay time	≤20.00 ms
9	Short detection delay time	MAX 50us
10	Release Conditions	Cut off load
11	Current consumption in normal operation	6uA Max
12	max continuous charge/discharge current	3.00A
13	IR resistance	≤60 mΩ
14	Size of final PCM	∅17.5*2.2 mm